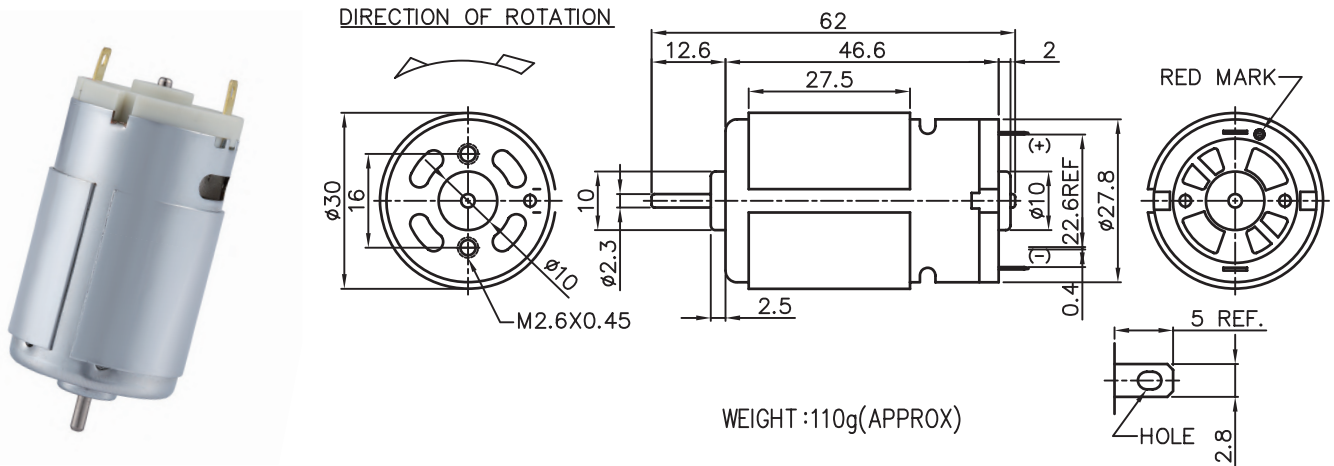


Application : Hair Clipper 、 Hair Remover 、 Pump

用途：電動理髮器、電動刮毛器、泵浦



MODEL	VOLTAGE		NO LOAD		AT MAXIMUM EFFICIENCY						STALL		
	OPERATING RANGE	NOMNAL	SPEED rpm	CURRENT A	SPEED rpm	CURRENT A	TORQUE g-cm	TORQUE mN-m	OUTPUT W	EFF %	CURRENT A	TORQUE g-cm	TORQUE mN-m
JD5-2655-R	6.0-24.0	12.0V CONSTANT	7200	0.15	5900	0.87	123	12.11	7.50	73	4.81	798	78.25
JD5-3723-R	6.0-12.0	6.0V CONSTANT	9000	0.45	7500	2.46	136	13.33	10.64	72	14.97	954	93.53
JD5-3038-R	6.0-24.0	9.0V CONSTANT	7700	0.28	6623	1.33	126	12.35	8.60	73	8.17	933	91.47
JD5-18110-R	12.0-24.0	24.0V CONSTANT	7200	0.09	6262	0.41	112	10.98	7.20	74	2.83	898	88.04

馬達的出軸長度及性能參數，EMC 對策可依客人要求做調整，詳情可詢問相關業務人員。  
Please inquire your sales representative for output, performance and EMC solution.

