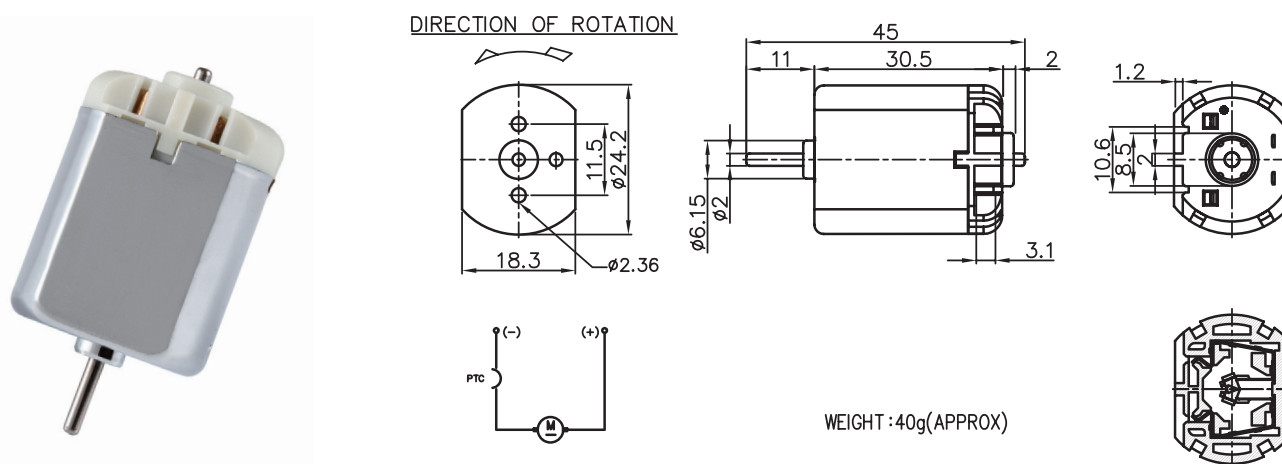


DC-280

Application : Central Locks

用途：中控鎖



MODEL	VOLTAGE		NO LOAD		AT MAXIMUM EFFICIENCY						STALL		
	OPERATING RANGE	NOMNAL	SPEED	CURRENT	SPEED	CURRENT	TORQUE		OUTPUT	EFF	CURRENT	TORQUE	
			rpm	A	rpm	A	g-cm	mN-m	W	%	A	g-cm	mN-m
DC-280ST-15265-NR	12.0 - 24.0	24.0V CONSTANT	14000	0.10	12361	0.41	52	5.10	6.54	69	2.34	360	35.29
DC-280ST-18165P-R	6.0 - 12.0	12.0V CONSTANT	11500	0.14	10060	0.59	44	4.31	4.55	67	2.96	275	26.96
DC-280ST-18180P-R	6.0 - 12.0	12.0V CONSTANT	10000	0.13	8299	0.51	47	4.61	4.01	67	2.42	271	26.57
DC-280ST-20150P-R	6.0 - 12.0	12.0V CONSTANT	12500	0.16	10616	0.80	54	5.29	5.95	65	3.85	337	33.04

馬達的出軸長度及性能參數，EMC 對策可依客人要求做調整，詳情可詢問相關業務人員。
Please inquire your sales representative for output, performance and EMC solution.

